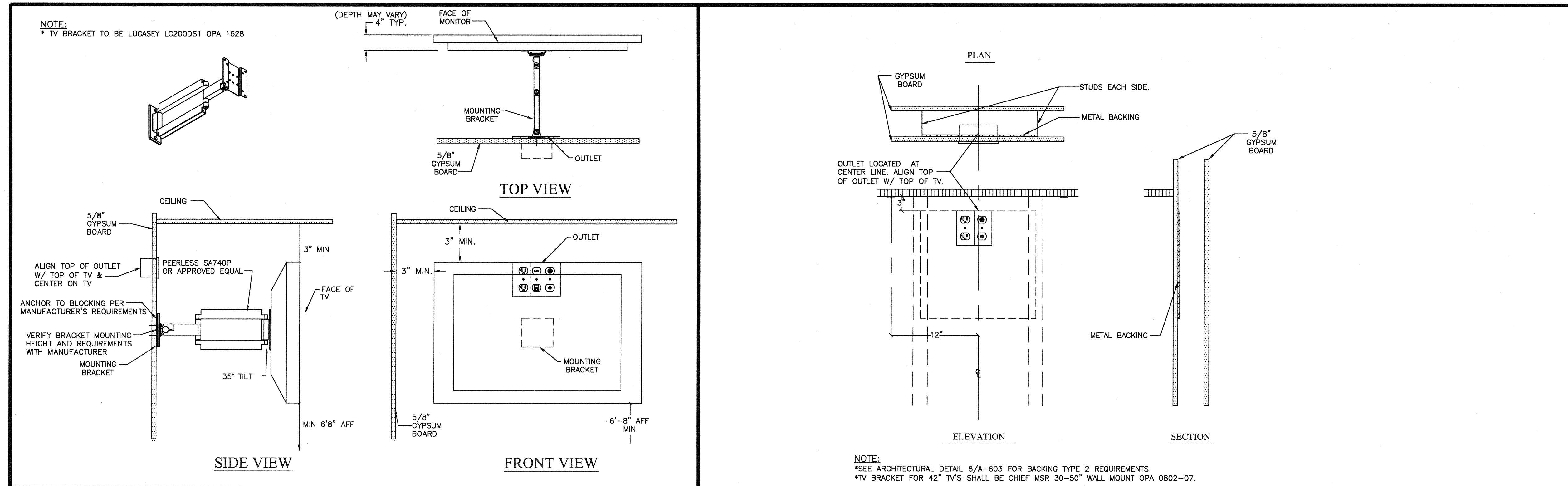


NO.	ISSUES/REVISIONS	DATE
50%	50% DETAILED DESIGN	09/10/2010
100%	100% DETAILED DESIGN	10/20/2010
50%	50% IMPLEMENTATION DOCUMENTS	11/23/2010
100%	100% IMPLEMENTATION DOCUMENTS	12/17/2010
△	OSHPD 1ST ROUND BACKCHECK RESPONSES	04/26/2011
△	OSHPD 2ND ROUND BACKCHECK RESPONSES	07/16/2011



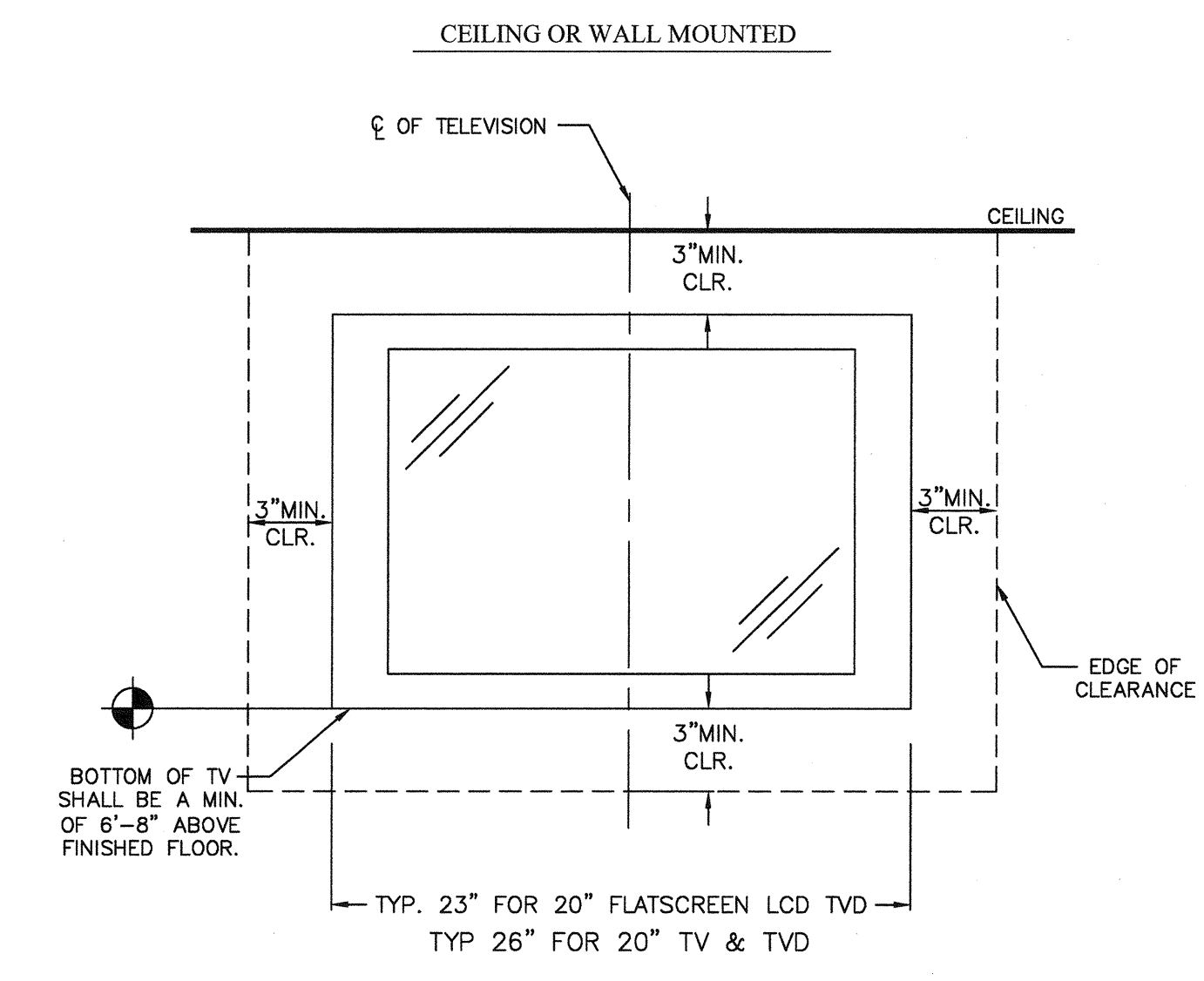
1 FLAT PANEL TV / MONITOR
T15 TVF T26F

2 RECOMMENDED METAL BLOCKING REQUIREMENTS

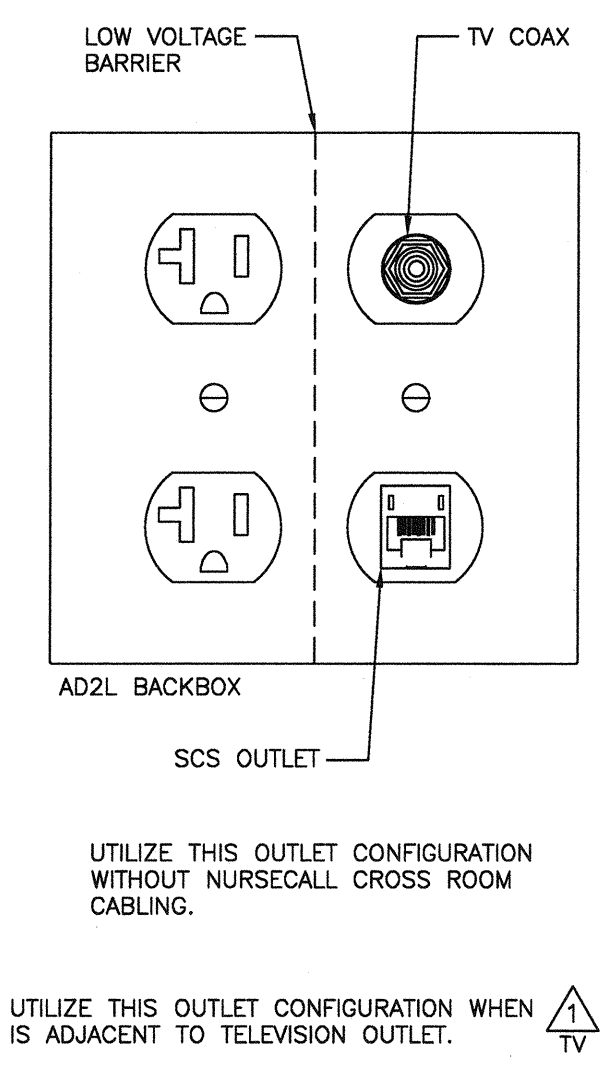
	Approximate W x H x D*	Approximate Weight*	Minimum Ceiling Height to meet ADA requirements	ADA Required clearance to bottom of TV.
15" LCD TV	15.4" x 13.8" x 2.4"	13 lbs.	8' 0"	8' 6"
20" LCD TV	23" x 20" x 3.4"	19 lbs.	8' 6"	8' 6"
26" LCD TV	30" x 20" x 3.75"	28.5 lbs.	8' 6"	8' 6"
30" LCD TV	30" x 20" x 3.75"	48.5 lbs.	8' 6"	8' 6"
32" LCD TV	38.7" x 21.2" x 4.5"	37.8 lbs.	9'	8' 6"
37" LCD TV	41.8" x 24.2" x 5.4"	54 lbs.	9'	8' 6"
42" LCD TV	48.8" x 28.8" x 4.1"	71.1 lbs.	9' 6"	8' 6"
50" Plasma TV	48.2" x 30" x 4.3"	98.1 lbs.	9' 6"	8' 6"
60" Plasma TV	57.4" x 35" x 4"	154.3 lbs.	10'	8' 6"
20" CRT	20" x 18" x 18"	41.9 lbs.	8' 6"	8' 6"

*NOTE: SEE VENDOR/MANUFACTURER CUT SHEETS FOR SPECIFIC REQUIREMENTS.

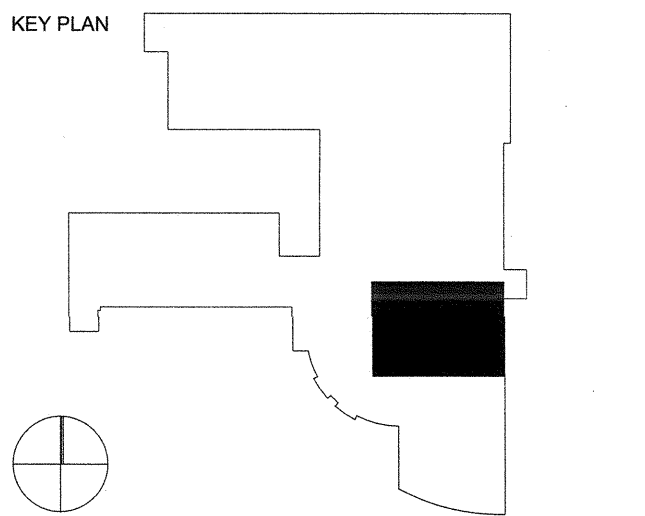
3 MINIMUM TV CEILING HEIGHT REQUIREMENTS



4 STANDARD CLEARANCES FOR CEILING OR WALL MOUNTED TV



5 TELEVISION OUTLET DETAIL



All drawings and written material appearing herein constitute original and unpublished work of the Architect/Engineer and may not be duplicated, used or disclosed without consent of Architect/Engineer. If this drawing is not 30"x48", then the drawing has been revised from its original size. Noted scales must be adjusted. This line should be equal to one inch.