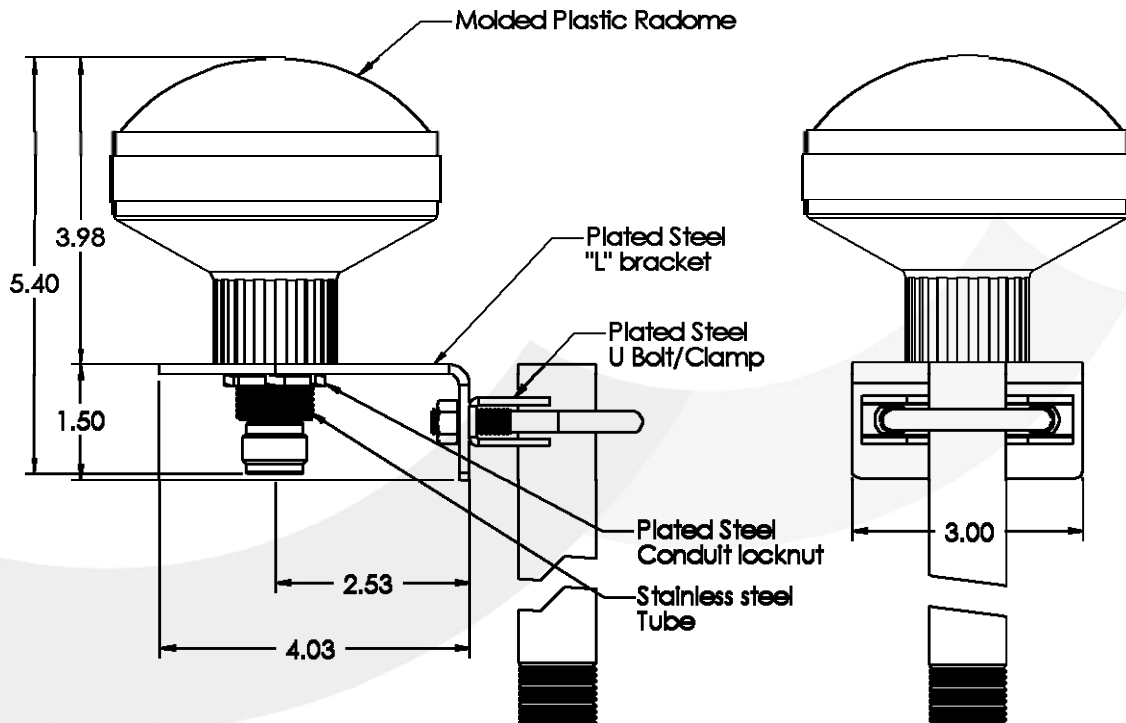
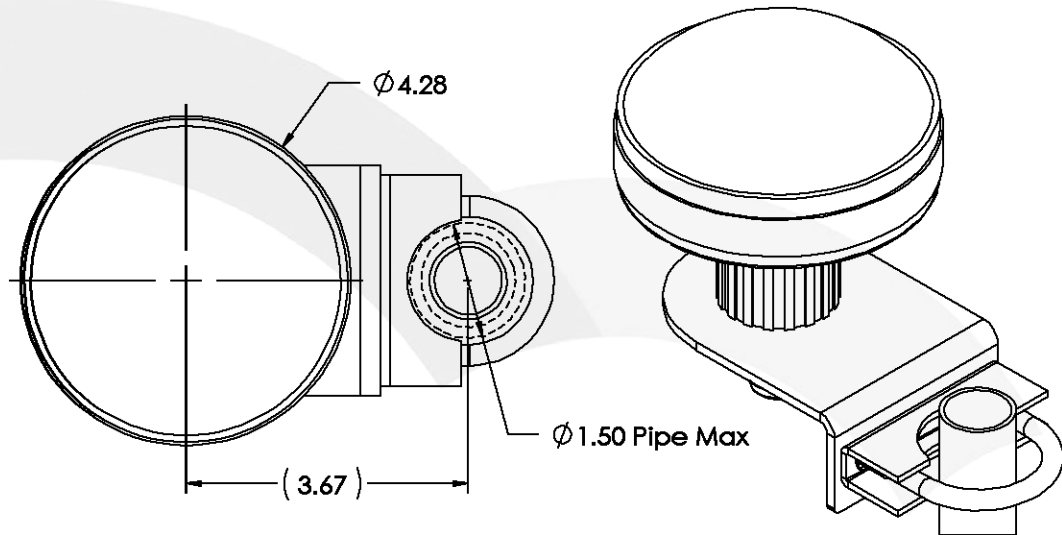


**GPS ANTENNA MODULE
WITH MOUNTING HARDWARE**

GPS0015
Series : ANTENNA



Unless otherwise specified all tolerances are $\pm .03$

All dimensions are in inches

Issue : 0710

In the effort to improve our products, we reserve the right to make changes judged to be necessary.



**GPS ANTENNA MODULE
WITH MOUNTING HARDWARE****GPS0015**
Series : ANTENNA**ELECTRICAL SPECIFICATIONS**

Frequency :.....	1575.42 ± 1.023 MHz
Nominal Impedance :.....	50 Ω
VSWR :.....	2:1 Max
LNA Gain :.....	25 dB ± 2 dB
Polarization	R. H. C. P.
Noise Figure	2.5 dB Max
Band Alteration	20 dB Max
Voltage :.....	Dc +4.5 ~ 12 V
Current:	30 mA Max
Connector type :.....	N-type (Male)

MECHANICAL SPECIFICATIONS

Weight :.....	450 g
Overall dimensions:	φ =110, H = 103 mm
Mounting :.....	Bracket

ENVIRONMENTAL SPECIFICATIONS

Operating temperature :.....	-30 / +80 ° C
Storage temperature :	-30 / +90 ° C

OTHERS SPECIFICATIONS

*