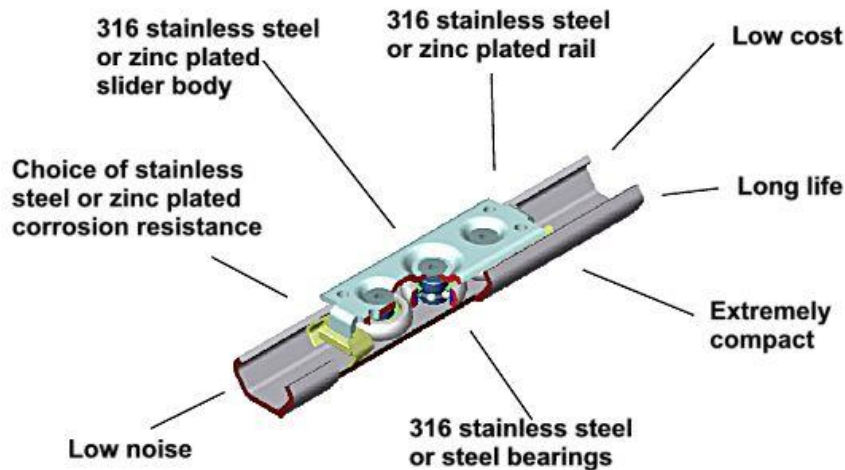




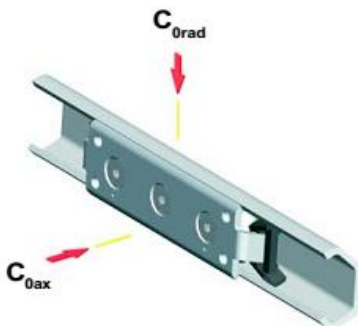
Rollon X-rail

Rollon X-rail is an economical solution for machine doors, hatches companion ways and simple guide way applications. Industries such as transportation & marine, medical, packaging, food production, energy and office equipment can all benefit from the simplicity and cost effectiveness of X-rail



X-Rail has the following features and benefits;

- Internal raceway, sealed roller sliders with scrapers for long service life.
- Compact dimensions for elegant designs and tight spaces
- Full 316 stainless steel TEX, CEX version is ideal for wash down & chemical environments
- Rail available in up to 3.12m lengths that we can cut to your length. Some applications may also allow butt jointing for even longer travel
- Low friction for easy motion
- Eccentric centre rollers gives field adjustable preload to suit the application
- 100deg temperature range and 1.5m/s speed rating
- Rails are non-hardened so a statistical service life is not applicable. X rail is only suitable for low duty cycle applications. Where constant motion or reliable service life is required consider Rollon Compact rail or LM profile rail.



Type	C_{0rad} [N]	C_{0ax} [N]
TEX20 - CEX20	300	170
TEX30 - CEX30	800	400
TEX45 - CEX45	1600	860

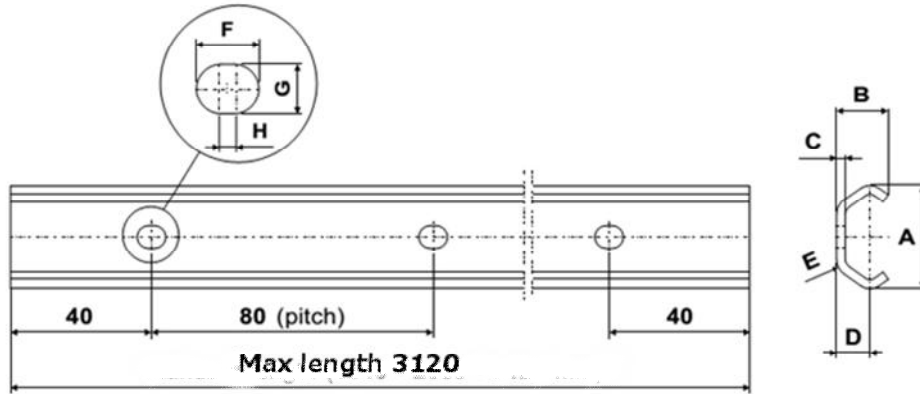
Type	C_{0rad} [N]	C_{0ax} [N]
TES20 - CES20	326	185
TES30 - CES30	870	435
TES45 - CES45	1740	935

D



ROLLON

Rail (TES zinc plated, TEX stainless):

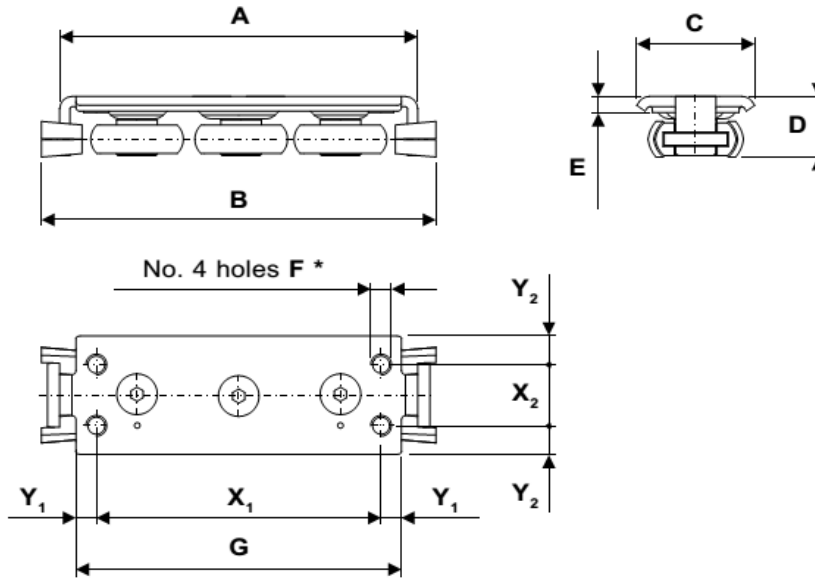


Recommended fastener is a button head cap screw

Type	A	B	C	D	E	F	G	H	Fixing Screws	Weight (g/m)
TES20-TEX20	19.2	10	2	7	3	7	5	2	M4	470
TES30-TEX30	29.5	15	2.5	10	4.5	8.4	6.4	2	M5	900
TES45-TEX45	46.4	24	4	15.5	6.5	11	9	2	M8	2290

Normal stock items are in bold type.

Slider (CES zinc plated, CEX stainless):



* only for CEX20 / CES20: No. 2 holes (F)

Type	A	B	C	D	E	F	G	X1	Y1	X2	Y2	Weight (g)
CES20-CEX20	80	90	18	11.5	5.5	M5	71	60	10	-	9	55
CES30-CEX30	88	97	27	15	4.5	M5	80	70	5	15	6	120
CES45-CEX45	150	160	40	22	4	M6	135	120	7.7	23	8.5	390

Normal stock items are in bold type.